

CAMERA WALL MOUNT BRACKET

Installation Instructions

Caution: read the instructions throughly before doing any installation

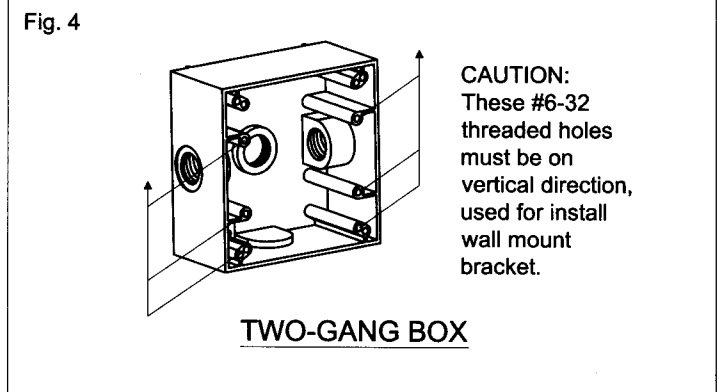
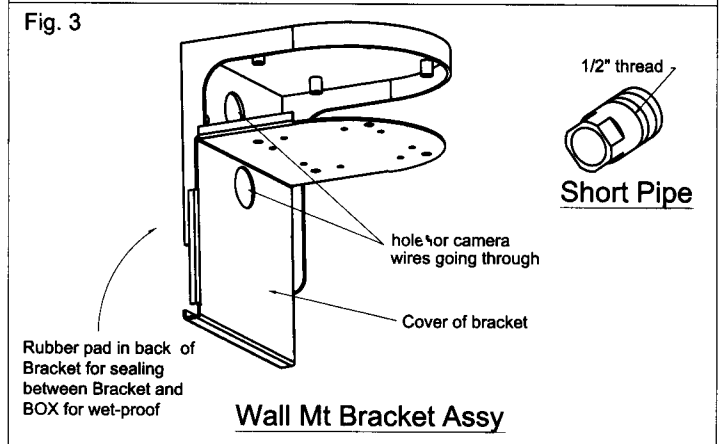
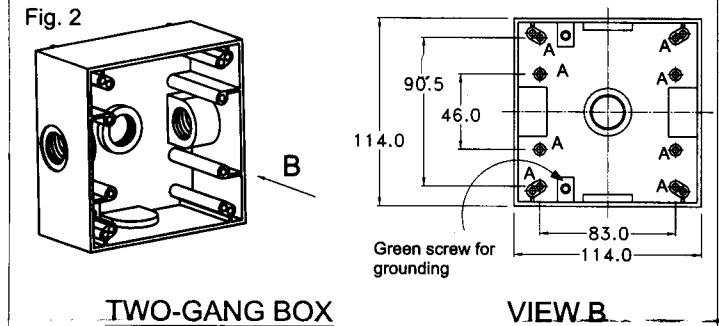
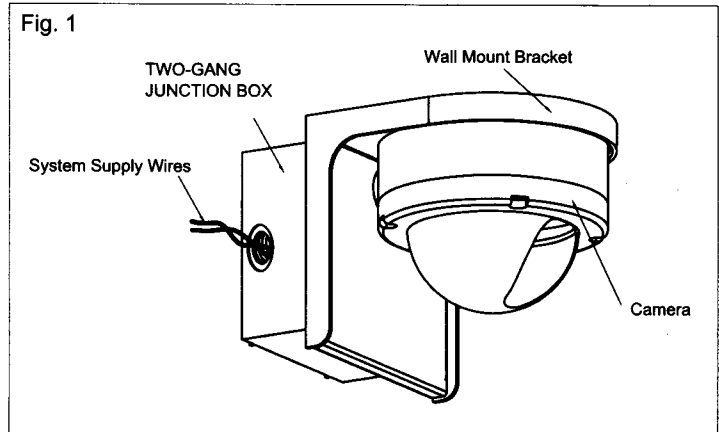
- A. Fig 1 shows the final assembly, components including:
- Outdoor Wall Mount Bracket.
 - Camera.
 - Two-gang junction box.
- (Camera and Two-gang junction box are not included.)
- B. User's prior preparation:
- Purchase Two-gang junction box from local store, (OSH, HOME DEPOT, LOWES etc.), manufacturer: Hubbell Electrical Products, Division of Hubbell Incorporated (Delaware). Brand: BELL, outdoor. UL listed 22F0, outlet boxes for wet locations (Fig. 2).

Caution: check the device dimensions before installation, make sure the holes A distances are identical with that shown on the Fig.2

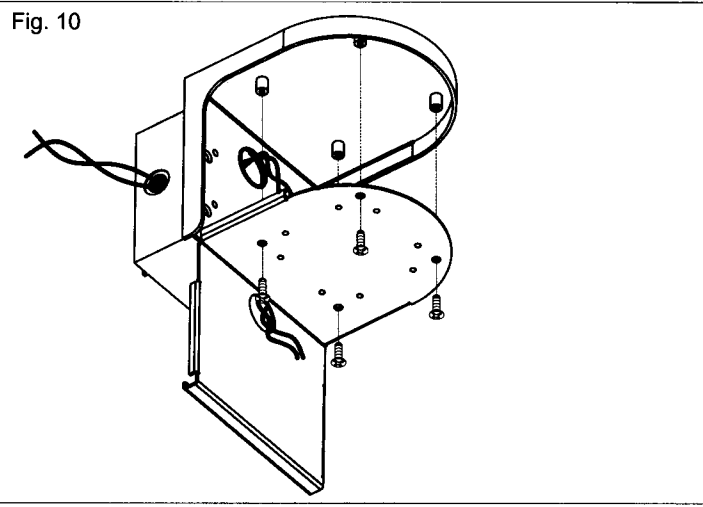
- C. General Instruction for TWO-gang junction box:
- Turn off power.
 - Use only copper wire.
 - Seal all unused outlets with plugs (provided with junction box) using sealing compound.
 - Installation and wiring must comply with local electrical codes.
 - Attach system ground wire under the head of green screw in **BOX**. (Fig. 2).

- D. TWO-gang junction box installation instruction:
1. Planning the system wiring before installation.
 2. Install fittings or conduit using sealing compound on the threads.
 3. Mount junction box on the surface of wall. Make sure the three #6-32 holes are on the vertical direction only (Fig 4).
Note: consult licensed contractor to ensure the junction box properly mounted on the wall and water-proof.
 4. Pull system supply wires into BOX.
Also follow the device installation instruction.

- E. Installation Instruction:
1. Check the parts in the packing box, refer to Fig. 3
 - (1) Wall Mount Bracket Assy TWM-CVSH3902 (1 piece).
 - (2) Short Pipe, 1/2" DIA, 2" length (1 pieces).
 - (3) Screws #6-32, 0.5" length, pan, philips(10 pcs), 6 pcs of them are used for connection of Two-gang Junction Box and Wall Mount Bracket. The other 4 pcs are used for installation of the camera on to Wall Mount Bracket.
 2. Take off camera cap and dome from camera base (Fig.5).
 3. Screw the short pipe on the camera base, use sealing compound on threads for wet-proof, pull camera wires through the pipe, including power wire and signal wire (Fig.6).
 4. Take off the cover from Wall Mount Bracket (Fig.7).
 5. Pull system wires through the hole on the Wall Mount Bracket (Fig.8).



6. Mount the Bracket on the Junction Box by using six #6-32 screws (Fig 9).
7. Mount the Cover on the Bracket (Fig.10).
8. Mount the Camera Base on the cover of the Bracket. The short pipe should go through the hole of the rubber pad on the back of Bracket (Fig 11).
9. Adjust camera until getting desirable performance.
10. Reassembly camera Cap and Dome back to the camera base (Fig.12). The installation is completed.



- F. Optional Installation (without junction box)
1. If system wires going along the left or right side, not through the wall, the Wall Mount Bracket allows the camera mounted by turning 90°, let the pipe hole toward side, see Fig.13.
 2. Fig. 14 shows mounted camera without Junction Box, system wires are going along the side.

