

4 MP WDR Fixed 4mm IR Bullet



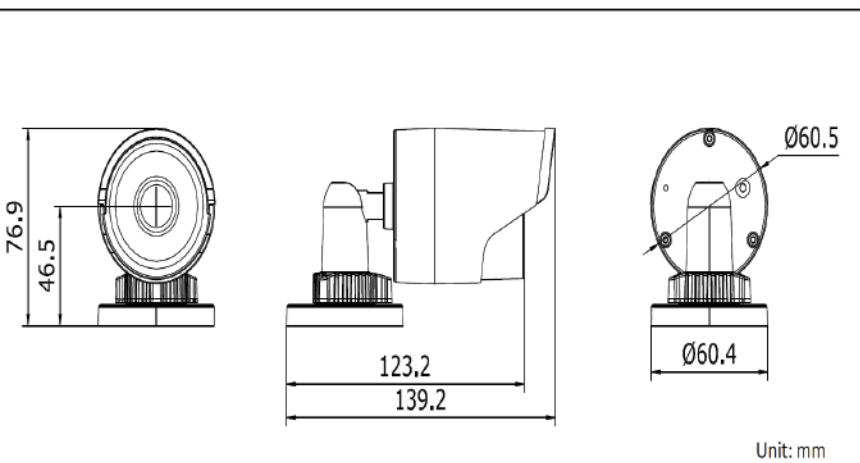
Key features

- 4MP , 2688*1520P
- IP66 Weather-Proof Protection
- 4mm Fixed Lens
- Up to 100ft IR Range
- 120dB Wide Dynamic Range
- 3D Digital Noise Reduction
- Full HD1080p + 1520P Video
- Dual Video Streams
- 3-axis Adjustment
- DC12V & PoE

Specifications

MIPB4	
Camera	
Image sensor	1/3" Progressive Scan CMOS
Min. illumination	0.01Lux @ (F1.2, AGC ON), 0 Lux with IR
Shutter time	1/3 s to 1/10,000 s
Lens	4mm @ F2.0, Angle of view: 83°
Day & night	IR cut filter with auto switch
Digital noise reduction	3D DNR
Wide dynamic range	WDR 120dB
Backlight compensation	Yes , zone configurable
Compression standard	
Video compression	H.264 / MJPEG / H.264 ZIP+
H.264 compression profile	Main profile
Bit rate	32 Kbps ~ 16 Mbps
Image	
Max. image resolution	4MP , 2688*1520P
Frame rate	60Hz: 20fps (2688×1520), 30fps (1920×1080), 30fps(1280×720) 50Hz: 20fps (2688×1520), 25fps(1920×1080), 25fps(1280×720)
Image settings	Rotate Mode, Saturation, Brightness, Contrast, Sharpness adjustable by Client software or browser
Network	
Network storage	NAS (Support NFS,SMB/CIFS), ANR
Alarm trigger	Motion detection, tampering alarm, network disconnect , IP address conflict, storage exception
Protocols	TCP/IP, UDP, ICMP, HTTP, HTTPS, FTP, DHCP, DNS, DDNS, RTP, RTSP, RTCP, PPPoE, NTP, UPnP, SMTP, SNMP, IGMP, 802.1X, QoS, IPv6, Bonjour
System compatibility	ONVIF (PROFILE S, PROFILE G), PSIA, CGI, ISAPI
General functionalities	Flickerless, Dual Stream, Heartbeat, Mirror, User Authentication, Video Mask, Watermark
Interface	
Communication interface	1 RJ45 10M / 100M ethernet port
General	
Operating conditions	-22 °F ~ 140 °F(-30 °C ~ 60 °C), humidity 95% or less (non-condensing)
Power supply	DC12V ± 10%, PoE (802.3af)
Power consumption	Max. 5W
Ingress protection level	IP66
IR range	Approx. 100ft (30 meters)
Dimensions	2.4" * 2.4" * 6.4" (62.0 * 62.0 * 162.5mm)
Weight	0.7lbs(300g)

Dimensions



Unit: mm

Accessories



JB1
Bullet Junction Box