

4 MP WDR Vari-focal 2.8-12mm IR Dome



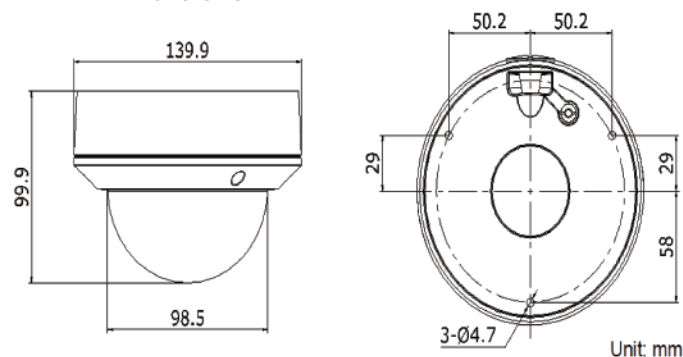
Key features

- 4MP, 2688*1520P
- Vandal Resistant
- IP66 Weather-Proof Protection
- Motorized Lens 2.8 - 12 mm
- Up to 100ft IR Range
- 120dB Wide Dynamic Range
- 3D Digital Noise Range
- Full HD 1080P + 1520P Video
- Built-in Micro SD/SDHC/SDXC Card Slot, up to 128 GB
- 12V DC \pm 10% & PoE(802.3af)

Specifications

MIPD4VZ	
Camera	
Image sensor	1/3" Progressive Scan CMOS
Min. illumination	0.01Lux @ (F1.2, AGC ON), 0.014 Lux @ (F1.4, AGC ON), 0 Lux with IR
Shutter time	1/3 s to 1/10,000 s
Lens	2.8 - 12 mm @ f1.4, motorized lens
Day & night	IR cut filter with auto switch
Digital noise reduction	3D DNR
Wide dynamic range	WDR 120dB
Backlight compensation	Yes, zone configurable
Angle Adjustment	Pan:0 - 355 , Tilt: 0 - 75 , Rotation: 0 -
Compression standard	
Video compression	H.264 / MJPEG / H.264 ZIP+
H.264 compression profile	Main profile
Bit rate	32 Kbps ~ 16 Mbps
Audio (-S)	G.711/G.722.1/G.726/MP2L2 64Kbps(G.711) / 16Kbps(G.722.1) / 16Kbps(G.726) / 32-128Kbps(MP2L2)
Image	
Max. image resolution	4MP, 2688*1520P
Frame rate	60Hz: 20fps (2688 × 1520), 30fps (1920 × 1080), 30fps(1280 × 720) 50Hz: 20fps (2688 × 1520), 25fps(1920 × 1080), 25fps(1280 × 720)
Image settings	Rotate Mode, Saturation, Brightness, Contrast, Sharpness adjustable by client software or web browser
Day/Night Switch	Auto/Schedule/Triggered by Alarm In
Network	
Network storage	NAS (Support NFS,SMB/CIFS); ANR, Built-in Micro SD/SDHC/SDXC card slot, up to 128 GB
Alarm trigger	Motion detection, tampering alarm, network disconnect , IP address conflict, storage exception, Line Crossing detection, Intrusion Detection, Dynamic Analysis
Protocols	TCP/IP, UDP, ICMP, HTTP, HTTPS, FTP, DHCP, DNS, DDNS, RTP, RTSP, RTCP, PPoE, NTP, UPnP, SMTP, SNMP, IGMP, 802.1X, QoS, IPv6, Bonjour
System compatibility	ONVIF (PROFILE S, PROFILE G), PSIA, CGI, ISAPI
Security	One-Key Reset, Flash-Prevention, Dual Stream, Heartbeat, Mirror, Password Protection, Privacy Mask, Watermark, IP Address Filtering, Anonymous Access
Interface	
Communication interface	1 RJ45 10M / 100M ethernet port
General	
Operating conditions	-22 ° F ~ 140 ° F(-30 ° C ~ 60 ° C), humidity 95% or less (non-condensing)
Power supply	DC12V \pm 10%, PoE (802.3af)
Power consumption	Max. 5.5 W
Impact Protection	IK08(-W model)/IK10(non -W model)
Ingress Protection	IP66
IR range	Approx. 100ft
Dimensions	Φ 5.51" \times 3.94" (Φ 140 \times 99.9 mm)
Weight	2.20 lbs (1000g)

Dimensions



Accessories



WMOUNT
Wall Mount



WMOUNT4-
Wall Mount with Junction Box



WMOUNT
Corner Mount



WMOUNT
MIPZ2-PM