

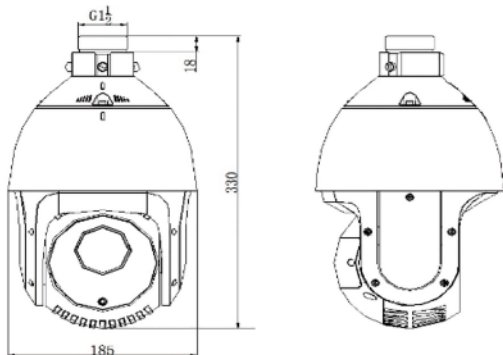
2MP Network Matrix IR PTZ Dome Camera



Key features

- 2.1MP High Definition
- 1/2.8" Progressive Scan CMOS
- 1920X1080P@30fps
- 4.7-94mm Lens
- 20X Optical zoom
- 4 Matrix IR LEDs up to 492ft (150m)
- True Day/Night, D WDR , 3D DNR
- Privacy Mask
- Support BNC output
- 5"(Φ)
- 24VAC, High POE
- Wall Mount Bracket Included

Dimensions



Unit:mm

Specifications

| MIPZ2MIR20X | |
|------------------------------|---|
| Camera | |
| Image sensor | 1/2.8" Progressive Scan CMOS |
| Effective pixel | 1920(H) * 1080(V) |
| Min. illumination | Color: 0.02Lux, B/W: 0.002 Lux @ (F1.5, AGC On), 0 Lux with IR |
| White balance | Auto/Manual/ATW/Indoor/Outdoor/Daylight lamp/Sodium lamp |
| AGC | Auto / Manual |
| S / N ratio | ≥ 52dB |
| Digital noise reduction | 3D WDR |
| Backlight compensation | BLC |
| Wide dynamic range | Digital WDR |
| Defog | Support |
| Shutter speed | 1/1~ 1/10,000s |
| Day & Night | IR Cut Filter |
| Digital zoom | 16X |
| Focus mode | Auto / Semiautomatic / Manual |
| Privacy Mask | 8 privacy masks programmable |
| Lens | |
| Focal length | 4.7-97mm, 20x |
| Zoom speed | Approx.3s (Optical Wide-Tele) |
| Angle of view | 58.3 ~ 3.2 degree (Wide-Tele) |
| Min. working distance | 10 ~1000mm (Wide-Tele) |
| Aperture range | F1.6 ~ F3.5 |
| Pan and Tilt | |
| Pan / Tilt range | Pan: 360° endless; Tilt: -2° ~ 90°(Auto Flip) |
| Pan / Tilt speed | Pan manual speed: 0.1° ~ 400°/s, Pan preset speed: 400°/s Tilt manual speed: 0.1° ~ 200°/s, Tilt preset speed: 200°/s |
| Number of preset | 300 |
| Patrol | 8 patrols, up to 32 presets per patrol |
| Park action | Auto scan / Frame scan / Random scan / Patrol / Pattern / Preset / Panorama scan / Tilt scan / Dome reboot / Dome adjust / Aux output |
| Power-off Memory | Support |
| PTZ position display | On / Off |
| Preset freezing | Support |
| Infrared | |
| IR Distance | 492ft(150m) |
| IR Intensity | Automatically adjusted, depending on the zoom ratio |
| Local Video and Audio | |
| Alarm Input / Output | 1 Input 0-5VDC / 1 Relay Output, Alarm Response Actions Configurable |
| Audio Input / Output | 1 mic/Line in, 2-2.4V(p-p); output impedance: 1KΩ, ±10% / 1 output, Line level, impedance: 600Ω |
| Network | |
| Ethernet | 10Base-T / 100Base-TX, RJ45 connector |
| Max. image resolution | 1920×1080 |
| Frame rate | 60Hz: 30fps (1920×1080), 30 fps (1280×720); 50Hz: 25fps (1920×1080), 25fps (1280×720) |
| Image compression | H.264/MJPEG |
| ROI encoding | Support 4 areas with adjustable levels |
| Audio compression | G.711u /G.711a /G.726 /MP2L2 |
| Protocols | IPv4/IPv6, HTTP, HTTPS, 802.1X, QoS, FTP, SMTP, UPnP, SNMP, DNS, DDNS, NTP, |
| Streams | RTSP, RTP, TCP, UDP,IGMP, ICMP, DHCP, PPPoE |
| Simultaneous live view | Up to 20 |
| SD memory card | Built-in micro SD card slot, up to 128GB, support edge recording |
| User/Host Level | Up to 32 users, 3 Levels: Administrator, Operator, User |
| Security measures | User Authentication (ID and PW), Host Authentication (MAC Address), IP Address Filtering |
| Integration | |
| Application programming | Open-ended API, Support Onvif Profile S, Profile G, PSIA and CGI |
| Web Browser | IE 7+, Chrome 18+, Firefox 5.0+, Safari 5.02+ |
| General | |
| Power | Hi-PoE & 24 VAC, Max 30W |
| Working temperature | -22°F ~ 149°F(-30 °C ~ 65°C),90% or less |
| Humidity | 90% or less |
| Protection level | IP66 (outdoor),TVS 4,000V lightning protection, TVS 4,000V lightning protection, surge protection |
| Dimensions | Φ10.5"×14.4"(Φ266.6×365.2mm) |
| Weight | 8.8lbs(4.0kg) |